

Flow Computer System ERZ 2000



PRODUCT INFORMATION

**Serving the Gas Industry
Worldwide**



Method of operation

Irrespective of pressure and temperature, a gas meter measures only the gas volume flowing through it, i.e. what is called volume at measuring conditions. Since gas can be compressed, the quantity of gas which has actually flowed through the meter has still to be calculated from the measured volume at measurement conditions. As a measure for this quantity of gas, what is called volume at base conditions (related to the temperature at base conditions of 0°C and the pressure at base conditions of 1.01325 bar) is used.

The ERZ 2000 gas volume corrector performs this conversion on the basis of the equation of state for ideal gases. Since this equation alone does not meet all the requirements for high-precision gas metering, it is also necessary to take account of the characteristics of the real gas by using a correction factor, i.e. the K coefficient.

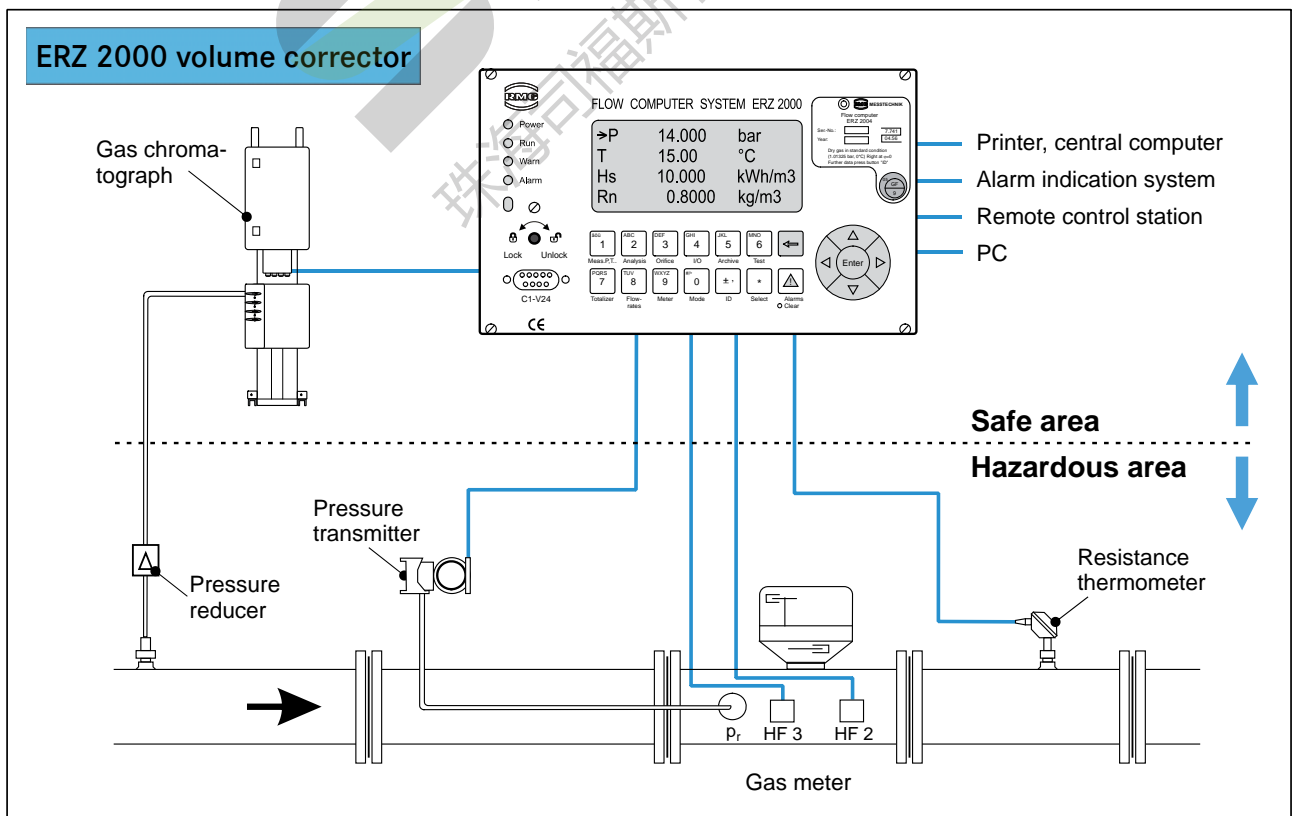
RMG's ERZ 2000 gas volume corrector can be used for both custody transfer and secondary metering applications in conjunction with all gas meters, such as turbine meters, vortex meters, ultrasonic gas flowmeters, rotary displacement meters etc. als well as for orifice plate metering.

The ERZ 2000 flow computer is a PC-based computer. Thus, the functions of volume correction and measured-value recording are provided within the scope of performance of a PC. This system also enables the computer to be fitted with a more powerful processor or a larger memory card as technological development proceeds.

Approvals

The ERZ 2000 has been approved as a gas volume, superior calorific value and density corrector for the custody transfer metering of natural gases, just like the integrated ET 2000 as a data logger. Density correction has also been approved for other technically pure gases, while gas volume correction has also been approved for hydrogen, nitrogen and oxygen.

During normal operation, the limits specified for custody transfer metering are monitored. An alarm is tripped if these limits are exceeded and separate disturbance totalizers are used for metering. All alarm messages are stored in a log, just like all changes of parameters.



Features

- **Remote parameterization is possible**
The parameters of the ERZ 2000 can be changed via the DSfG bus and remote data transmission by a PC in the control centre provided that there are data element identifiers for these parameters. With operating data, first the code has to be sent, while with custody transfer data, the calibration switch of the device has to be opened first.
- **Original totalizer readings**
In the case of gas meters with electronic totalizers, it is possible to digitally transmit their readings to the ERZ 2000 and so their original readings are then available in the corrector.
- **Digital inputs for measured values**
Alternatively to the analog transmission of measured values from pressure transmitters and resistance thermometers, the values can also be transmitted digitally in conformity with the HART protocol.
- **Calculation of the K coefficient**
The ERZ 2000 gas volume corrector calculates the K coefficient of natural gases in accordance with all currently used calculation methods at the same time.
- **Bus interface**
The device has interfaces for the DSfG bus, MODBUS (RTU/ASCII) and RMG bus as standard, optionally for the Profibus as well.
- **Test functions**
Functions like “On-the-fly calibration”, “Freeze” or “Functional test” enable manual or automatic test totalizers to be started or stopped, means to be calculated or measured values to be frozen.
- **Data-logging feature**
The ERZ 2000 includes:
 - a data logger which provides conventional data logging and
 - the DSfG archive, i.e. a data memory recording the data which are generated in the corrector and transmitted via the DSfG interface (recording entity).
- **Error curve linearization**
During high-pressure testing of a gas meter, its error curve, which depends on the flow rate, is determined. This error curve can be simulated in the ERZ 2000 gas volume corrector as interpolation points or as a polynomial applied over the flow rate or the Reynolds number and thus the error of measurement can be corrected.
- **High-contrast display**
A big 4-line display enables data to be read even at a distance of a few steps.
- **Language selection**
The software is trilingual, so either German, English or Russian can be chosen.

Device types

The computer has been designed as a universal device which can be used for all metrological tasks in a gas metering station. There are the following standard designs:

ERZ 2004 gas volume corrector

Calculation of the volume at base conditions via pressure, temperature and K coefficient (PTZ).

ERZ 2104 calorific value corrector

Calculation of the volume at base conditions and the energy content via pressure, temperature and K coefficient.

ERZ 2002/ERZ 2102 density corrector

Calculation of the volume at base conditions (with ERZ 2102 also of the energy contents) via density, standard density and velocity of sound.

ERZ 2112/ERZ 2114 differential pressure computer

Evaluation computer and gas volume corrector (PTZ or density) for orifice plate metering.

In addition, there is a series of other functions which can be combined with the volume correction. The most important ones are:

ERZ 2000M flow computer with mass calculation

In this version PTZ and density correctors as well as differential pressure computers also calculate the mass of the gas in addition to the norm volume.

ERZ 2000 USC ultrasonic controller

These versions combine PTZ or density correctors with the controller and evaluation function for an RMG ultrasonic gas flowmeter USZ 08.

Operation

All configuration data and measured and calculated values are stored in an easy-to-survey table with columns and lines just like a spreadsheet. All the cells of this table can be displayed by pressing arrow keys. The major variables, such as pressure, temperature or totalizers, can be directly accessed by pressing a single key.

Programming can be done either via the keyboard of the device or a local network or by the control centre via the DSfG bus (if the appropriate data element identifiers are available). Parameters for custody transfer metering are protected by a sealable switch, while all the other parameters are protected by a code.

The ERZ 2000 has a network connection through which data can be read out or changed. To do this, no read-out program is required on the PC but an internet browser software such as Internet Explorer or Netscape is sufficient. The program is quasi inside the ERZ 2000 and you can surf in the flow computer as you surf on the internet. Thus, the read-out program is always appropriate and up-

to-date independently of the software version of the flow computer and the operating system of the PC connected.

Operation is to be performed in line with the standards on the internet so that you can do it without reading a manual. Data are displayed in the form of easy-to-survey tables and the meaning of the parameters is shown in plain text. To increase clarity, it is possible to limit the display to the major variables. As far as parameters are modifiable, they can simply be clicked and then edited and transmitted to the flow computer.

In addition, the flow computer provides concise documentation about the data and messages. Thus, the DSfG data element identifiers and the Modbus registers can be displayed and printed for example. It is even easy to create a data book.

The contents of the archives can be viewed with the internet browser and saved with a file format which can be read by spreadsheet programs such as Excel.

4

GH [Start-up/slow-down](#)

H Flow rate

HA [Overview](#)

HB [Energy flow rate](#)

HC [Mass flow rate](#)

HD [Vol. flow rate \(B\)](#)

HE [Flow rate \(M\)](#)

HF [Corr. flow rate \(M\)](#)

HG [Component flow rate](#)

I Communication

IA [TCP/IP network](#)

IB [Serial COMs](#)

IC [General DSfG](#)

ID [DSfG recording](#)

IE [RDT access](#)

IF [DSfG master](#)

IG [Imported GQ DSfG](#)

IH [Imported GQ RMG bus](#)

II [Modbus superblock](#)

J Fault messages

JA [Fault messages](#)

JB [Message registers](#)

K Times

KA [Times](#)

KB [Clock generator](#)

L Totalizers

LA [Overview](#)

LB [Totalizer BM1](#)

LC [Dist. tot. BM1](#)

Print
RMG Messtechnik ERZ 2000 1.6.3 2005 4711 23-01-2008 07:39:21
Refresh

LB Totalizer, billing mode 1

Access	Line	Designation	Value	Unit	Variable
Z*	1	Vol. at base cond.	970345	m3	Vn1
Z*	2	Vol. base fraction	0.979201	m3	Vn1R
Z*	5	Corr. vol. meas.	19142	m3	Vk1
Z*	6	Corr. vol. meas. frac.	0.554066	m3	Vk1R
Z*	9	Mass	764995	kg	M1
Z*	10	Mass fraction	0.095690	kg	M1R
Z*	11	Vol. at meas. cond.	19323	m3	Vu1
Z*	12	Vol. meas. fraction	0.955758	m3	Vu1R
F	61	Vol. at base cond.	0	m3	fVn1
F	62	Vol. base fraction	0.000000	m3	fVn1R
F	65	Corr. vol. meas.	0	m3	fVk1
F	66	Corr. vol. meas. frac.	0.000000	m3	fVk1R
F	69	Mass	0	kg	fM1
F	70	Mass fraction	0.000000	kg	fM1R
F	71	Vol. at meas. cond.	0	m3	fVu1
F	72	Vol. meas. fraction	0.000000	m3	fVu1R

Separation of software

The operating software of the ERZ 2000 is divided into two modules which have their own checksum in each case: the official kernel and the functions for showing and evaluating the measured values and totalizer readings. The official kernel comprises all functions for acquiring measured values. Here, among other data, the calibration factors are stored which have been determined and programmed in our testing laboratory.

The great advantage of this separation is that a software change has to be approved only if the checksum of the official kernel changes. Since most of the changes are made outside the official kernel, ongoing development becomes not only easier but can also be implemented faster. Thus, it will be easier to respond to customer requirements.

Recording function

There is more than one data memory included in the ERZ 2000 flow computer as standard:

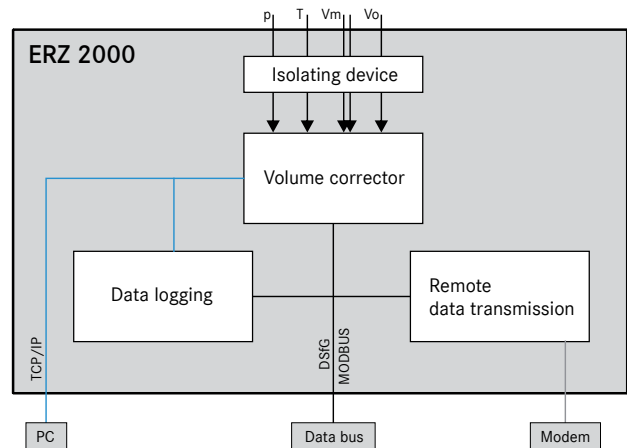
- In the data memory according to the DSfG standard (recording entity), the totalizer readings and the mean and instantaneous values for pressure, temperature and density are stored. The standard memory depth is 85 days.
- Another memory records maximum values, e.g. maximum hourly values per day, month and year and maximum daily values per month and year.
- A log records all events such as the coming and going of alarm messages.
- A log which can be written by the user provides an option for inputting user-specific entries.
- There is an option for storing additional analog values (e.g. room temperature, dew point, etc.).

Calculation of the K coefficient

The K coefficient is calculated in accordance with all currently used calculation methods:

- GERG 88S
- AGA 8-92DC
- AGA-NX-19 and AGA-NX-19 mod
- Beattie-Bridgeman (for industrial gases)
- van der Waals equation.

Calculation is performed simultaneously. The powerful computer requires no more than 9 ms even for complex calculation methods like AGA 8-92DC. The results are



displayed and can thus be compared with each other. Then you can select one of these methods as mode for volume correction.

Remote data transmission (RDT)

The ERZ 2000 includes a RDT module as standard so that it is possible to directly connect the device to a modem. Just like an external RDT unit, the ERZ 2000 not only transmits data but can also fulfil the function of the DSfG master with all related tasks, e.g. calling PTB time and synchronizing the bus.

Explosion protection

A card inserted into the device comprises isolating amplifiers which allow intrinsically safe circuits to be connected for volume pulse inputs (for pulse generators of gas meters), the V_o input (for connection of an encoder totalizer) and two inputs for measured values (4-20 mA or HART). Setting the switching threshold and hysteresis of the pulse inputs is performed automatically but can also be done manually via the keyboard.

Accessories

- **19" subrack** for a maximum of two ERZ 2000 rack-mounting units
- **DSfG interface expander** for installation in 19" sub-racks for linking the DSfG interfaces of a maximum of five users.
- **Thermowells** for resistance thermometers
- **Thermal insulation** for resistance thermometers
- **Three-way check valve** for pressure transmitters
- **Stand** for accommodating the pressure transmitter and the three-way check valve.

Resistance thermometer

TYPE	Rosemount PT 100 / W-GYI Resistance thermometer as per DIN 43760
Explosion protection	EEx-d IIC T6 (explosion-proof enclosure)
Gas temperature range	-20°C to +60°C (for custody transfer metering*)
Measuring error	< ±0.1% of the measured value
Face-to-face dimensions	160 mm (standard)
	250 mm (option)
	400 mm (option)
Process connection	G¾" integral thread
Maximum pressure	100 bar
Electrical connection	4-wire connection, M20 x 1.5 wire feed-through, 6.1 - 11.6 mm cable diameter
Degree of protection	IP 65



PT 100 Ex (d)
resistance thermometer

* Temperature range for secondary metering: -50°C to +550°C

The PT 100 resistance thermometer has been approved for custody transfer metering. It can be used either directly in the fluid or in a sensor pocket. The PT 100 resistance thermometer can also be used in conjunction with other RMG gas volume correctors.

Pressure transmitters

TYPE	Rosemount 2088 A	Rosemount 3051 CA
Measuring ranges (bar absolute)	0.90 - 4.50	0.90 - 4.50
	2.00 - 10.0	2.00 - 10.0
	3.00 - 15.0	3.00 - 15.0
	4.00 - 20.0	4.00 - 20.0
	6.00 - 30.0	6.00 - 30.0
	10.0 - 50.0	10.0 - 50.0
		20.0 - 100.0
Measuring error	≤ 0.3% of the measured value	≤ 0.25% of the measured value
Weight	approx. 0.9 kg	approx. 2.5 kg
Explosion protection	EEx-d IIC T6 (pressure-proof enclosure)	
Ambient temperature	-10°C to +40°C (for custody transfer metering)	
Process connection	Ermeto coupling (6 mm)	
Electrical connection	2-wire connection, ½" NPT wire feed-through, 6 to 8 mm cable diameter	
Degree of protection	IP 65	



Rosemount 2088 A
pressure transmitter



Rosemount 3051 CA
pressure transmitter

The 2088 A and 3051 CA pressure transmitters have been approved for custody transfer metering and can also be used in conjunction with other RMG gas volume correctors.

Specifications

OPERATING CONDITIONS	
Power supply voltage	24 V/DC -10%/+15% or 90 V/AC ... 230 V/AC
Power input	max. 24 W
Ambient temperature	-20°C to +55°C
Dimensions	W x H x D = 213 x 128.4 x 310 mm (42 depth units / 3 height units)

INPUTS / OUTPUTS	
2-channel volume input	$f_{\max} = 7 \text{ kHz}$
6 current inputs	0/4-20 mA (2-wire connection) for pressure transmitters and resistance thermometers
2 resistance inputs	for resistance thermometers (4-wire connection)
4 frequency inputs	for density and velocity-of-sound measurement, frequency range: 0.05 Hz to 20 kHz
5 digital inputs	for status signals load: $U_{\max} = 5 \text{ V}$; $I_{\max} = 13 \text{ mA}$
4 current outputs	0/4-20 mA, user-programmable load resistance: max 700 Ω , $U_{\max} = 10 \text{ V}$
4 pulse outputs	$U_{\max} = 24 \text{ V}$ $I_{\max} = 100 \text{ mA}$ $P_{\max} = 150 \text{ mW}$
8 contact outputs	$U_{\max} = 24 \text{ V}$ $I_{\max} = 100 \text{ mA}$ $P_{\max} = 150 \text{ mW}$
Alarm / warning contact	$U_{\max} = 24 \text{ V}$ $I_{\max} = 100 \text{ mA}$ $P_{\max} = 100 \text{ mW}$

INTERFACES		
Front panel	RS 232	for program updates
Rear panel	RS 232 / RS 485	MODBUS ASCII / RTU
	RS 232	for an ultrasonic gas flowmeter
	RS 232 / RS 485	DSfG interface, entities
	RS 232 / RS 485	DSfG interface, master
	RS 232	for a modem (RDT)
	Ethernet (TCP/IP)	network, operation via internet browser

For More Information

To learn more about RMG's advanced gas solutions, contact your RMG account manager or visit www.rmg.com

GERMANY

Honeywell Process Solutions

RMG Regel + Messtechnik GmbH
Osterholzstrasse 45
34123 Kassel, Germany
Tel: +49 (0)561 5007-0
Fax: +49 (0)561 5007-107

Honeywell Process Solutions

RMG Messtechnik GmbH
Otto-Hahn-Strasse 5
35510 Butzbach, Germany
Tel: +49 (0)6033 897-0
Fax: +49 (0)6033 897-130

Honeywell Process Solutions

RMG Gaselan Regel + Messtechnik GmbH
Julius-Pintsch-Ring 3
15517 Fürstenwalde, Germany
Tel: +49 (0)3361 356-60
Fax: +49 (0)3361 356-836

Honeywell Process Solutions

WÄGA Wärme-Gastechnik GmbH
Osterholzstrasse 45
34123 Kassel, Germany
Tel: +49 (0)561 5007-0
Fax: +49 (0)561 5007-207

ENGLAND

Honeywell Process Solutions

Bryan Donkin RMG Gas Controls Ltd.
Enterprise Drive, Holmewood
Chesterfield S42 5UZ, England
Tel: +44 (0)1246 501-501
Fax: +44 (0)1246 501-500

CANADA

Honeywell Process Solutions

Bryan Donkin RMG Canada Ltd.
50 Clarke Street South, Woodstock
Ontario N4S 0A8, Canada
Tel: +1 (0)519 5398531
Fax: +1 (0)519 5373339

USA

Honeywell Process Solutions

Mercury Instruments LLC
3940 Virginia Avenue
Cincinnati, Ohio 45227, USA
Tel: +1 (0)513 272-1111
Fax: +1 (0)513 272-0211

TURKEY

Honeywell Process Solutions

RMG GAZ KONT. SIS. ITH. IHR. LTD. STI.
Birlik Sanayi Sitesi, 6.
Cd. 62. Sokak No: 7-8-9-10
TR - Sasmaz / Ankara, Turkey
Tel: +90 (0)312 27810-80
Fax: +90 (0)312 27828-23